

TECHNICAL SPECIFICATIONS



Riva® 6 Whirlpool Bath

RIV7242 WRL 2XX Riva 6 Whirlpool Bath, Right Hand (N274)

RIV7242 WLT 2XX Riva 6 Whirlpool Bath, Left Hand (B690)

Riva® 6 Soaker Bath

RIV7242 BUX 3XX Riva 6 Bath (B685)

INSTALLATION NOTES

Refer to installation instructions included with fixture before beginning installation. Please confirm product availability and specifications before commencing with any installation work.

PRODUCT SPECIFICATIONS AND AVAILABILITY ARE SUBJECT TO CHANGE WITHOUT NOTICE.

KEY DIMENSIONS

Electrical Components and Electrical Specifications do not apply to non-jetted baths.

DIMENSIONS

72" L x 42" W x 20-1/2" H

(1829 mm) L x (1067 mm) W x (521 mm) H

DRAIN/OVERFLOW

A: 16" (406 mm) B: 11-1/2" (292 mm)

CUTOUT

Template Provided Part Number: GM29000

TOTAL WEIGHT

B690, N274: 871 lb (395 kg) / 42 lb/sq. ft. (203 kg/m²)

B685: 840 lb (381 kg) / 40 lb/sq. ft. (195 kg/m²)

OPERATING GALLONAGE

Min. 55 U.S. Gal. (208 Liters)

Max. 78 U.S. Gal. (295 Liters)

PRODUCT WEIGHT

B690, N274: 105 lb (48 kg)

B685: 74 lb (34 kg)

SKIRT MOUNTING

Not Available

ELECTRICAL SPECIFICATIONS MODELS B690, N274 ONLY

Requires a dedicated GFCI protected separate circuit.

Motor/Pump: 120 VAC, 15 AMP, 60 Hz.

RapidHeat™: 120 VAC, 15 AMP, 60 Hz.

HEATER (OPTIONAL) MODELS B690, N274 ONLY

Requires a dedicated GFCI protected separate circuit.

RapidHeat™: P/N S750000

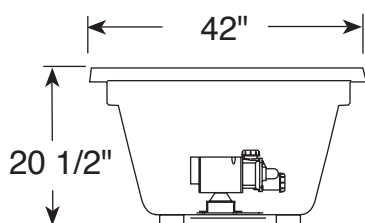
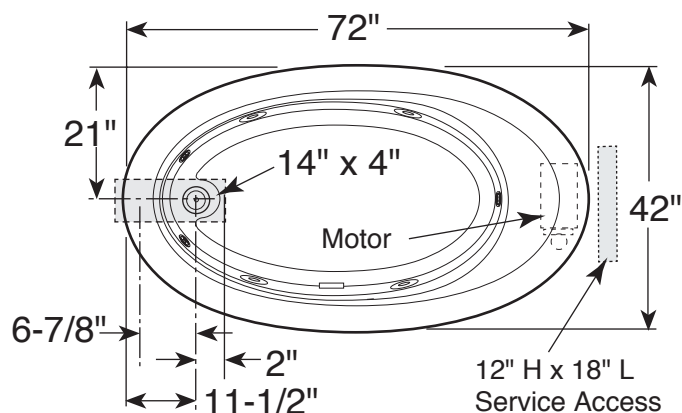
Product Shown: Riva 6 Whirlpool Bath Left Hand Shown

Model: B690

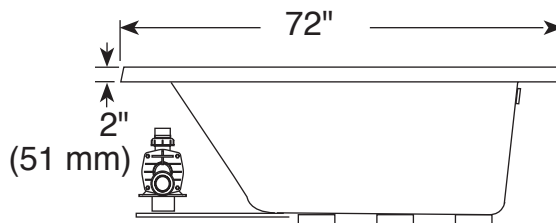
* Measurements inside unit represent cutout in floor to allow for drain/overflow. Minimum Service Access dimensions given.

FEATURES, UPGRADES & ACCESSORIES

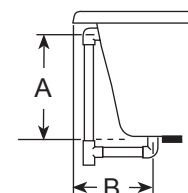
- Right and Left Hand Drain Location
- Accessories / Hardware:
 - Rotary Drain Kit, 26" Cable #8730
 - Trip-Lever Drain Kit: #X559
 - AccuPro Jet Rings #GU45
 - TheraPro Jet Rings #GU44
- Trim Kit Finishes Available:
 - (827) – Chrome
 - (826) – Brushed Nickel
 - (849) – Oil Rubbed Bronze



END VIEW



SIDE VIEW



DRAIN/OVERFLOW